



**Torolalana momban`ny fomba fanamboarana  
FIHAVANA VARY AN-DRANO**



**MINISTERAN`NY FAMBOLENA REPOBLIKAN`NY MADAGASIKARA  
DIRECTION REGIONALE DU DEVELOPPEMENT RURAL (DRDR)  
JAPAN INTERNATIONAL COOPERATION AGENCY (JICA)  
CENTRE DE FORMATION ET D`APPLICATION DU MACHINISME AGRICOLE  
MINISTRY OF AGRICULTURAL REPUBLIC OF INDONESIA**



**2010**

## NY FIHAVANA

### FAMPIDIRANA

Mba ahafahana mifehy ny ahi-dratsy eny an-tanim-bary dia tokony havaina eo amin`ny faha-10, 20, 30 ary 40 andro ny vary eny an-tanimbary, izany no atao dia ny mba hitombon`ny vary tsara kokoa hatrany. Noho izany indrindra no namoronana ity fitaovam-pihavana vary ity mba hanampiana ireo tantsaha malagasy amin`ny famongorana ny ahi-dratsy eny an-tanimbary.

### TANJONA

- Manamora ny fanalana ny ahi-dratsy eny an-tanimbary
- Vita haingana kokoa ny asa fihavana
- Tsy mandany vola
- Mora ampiasaina sady maivana
- Manala ahi-dratsy

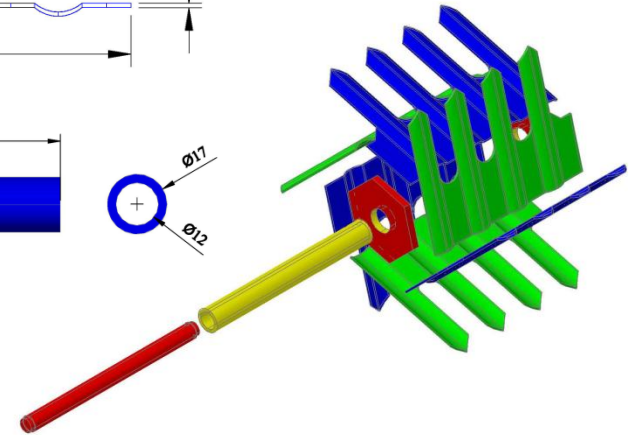
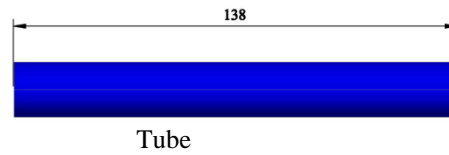
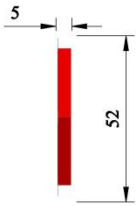
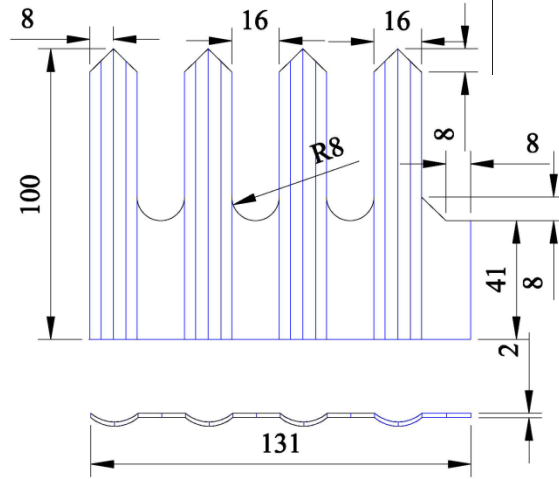
### NY FITAOVANA ILAINA

- Poste soudure
- Tronconneuse
- Perceuse
- Presse
- Axe

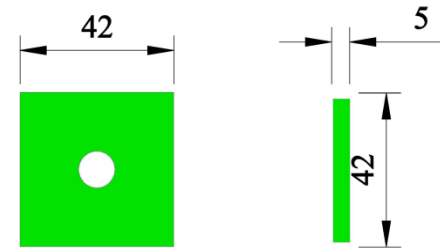
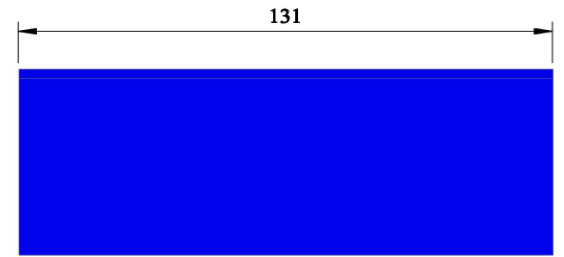
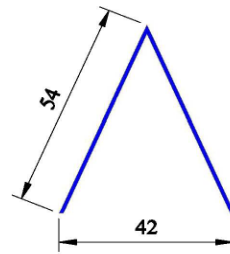
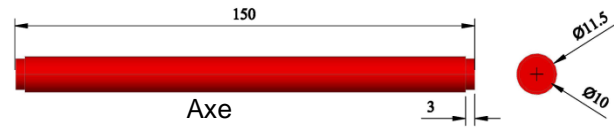
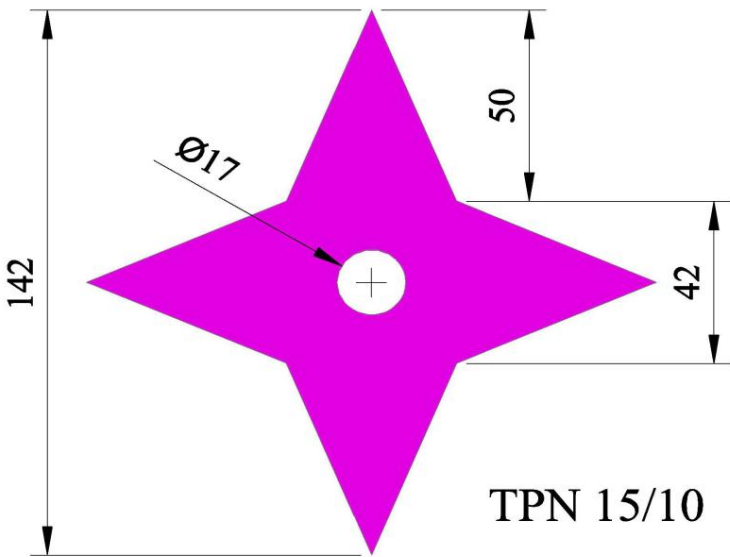
### NY AKORA ILAINA

- Hazo 40X40
- Fer plat 20X3
- TPN 15/10
- TPN 8/10
- Fer plat 40X5
- Tuyau galvanise
- Blao
- M8X60,M6X20,M8X20
- Loko

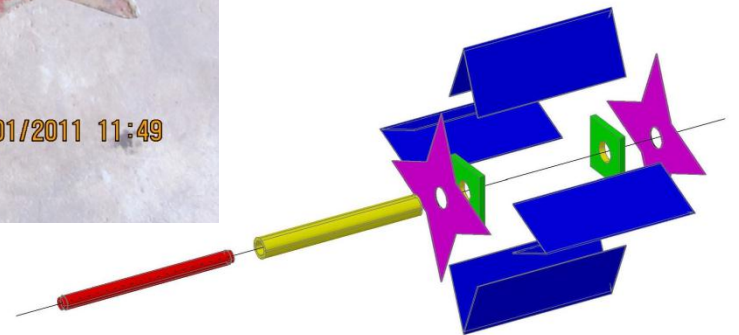
# FIHAVANA VARY AN-DRANO



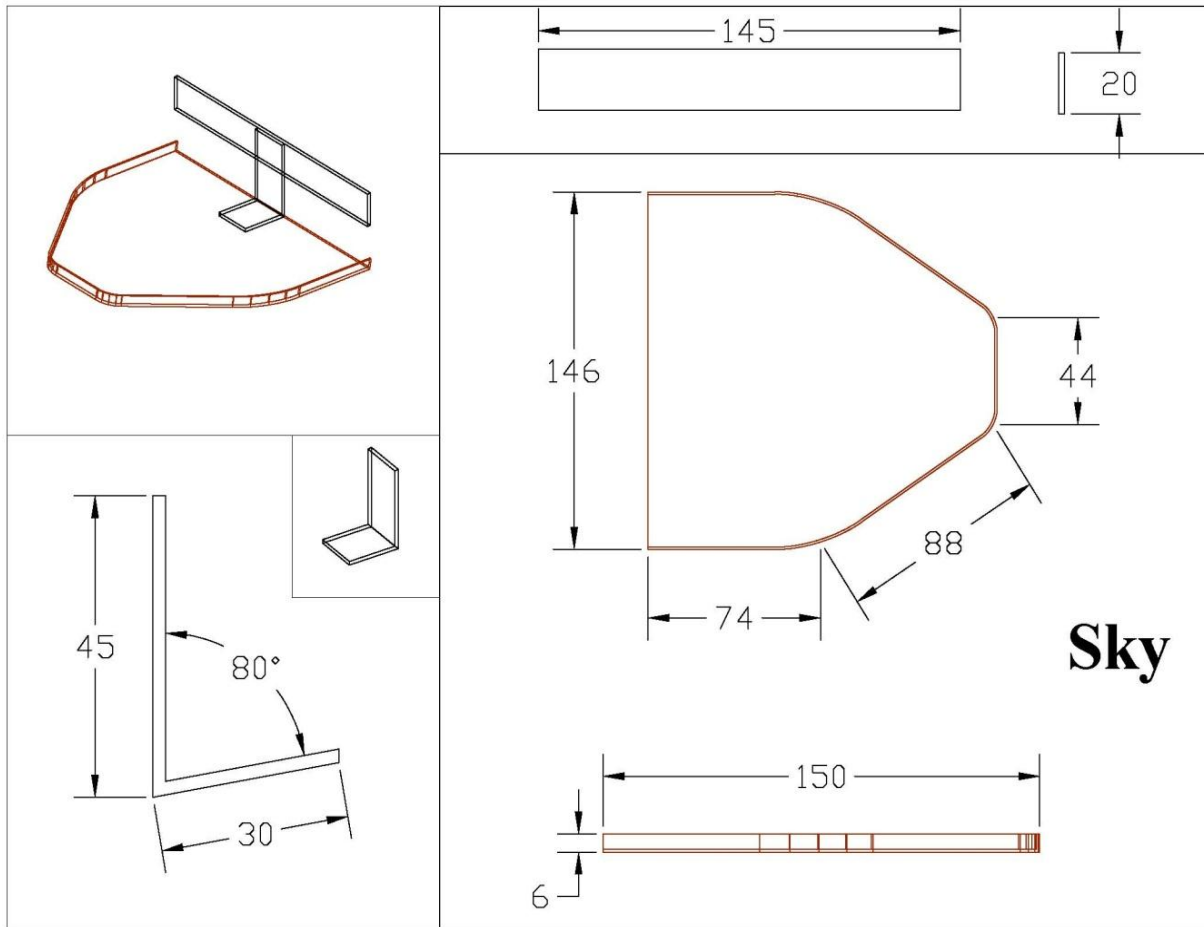
# ✓Ny fanamboarana ny kintana



2 pieces

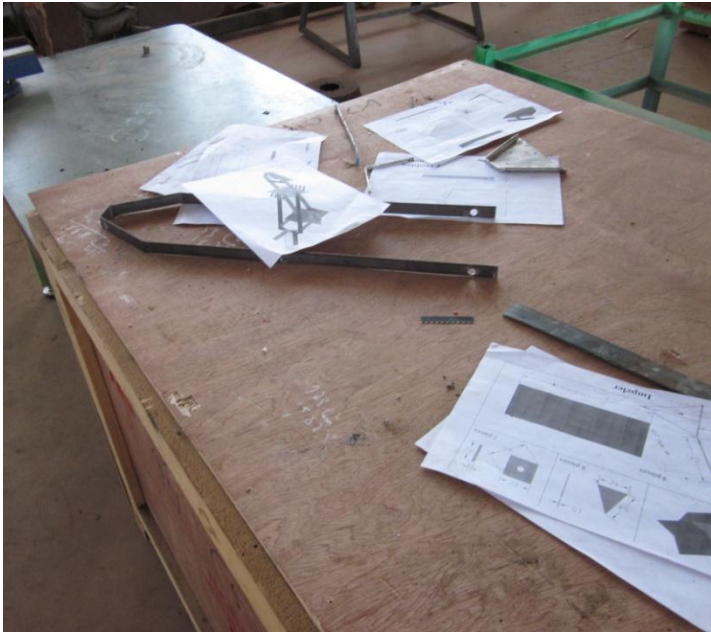
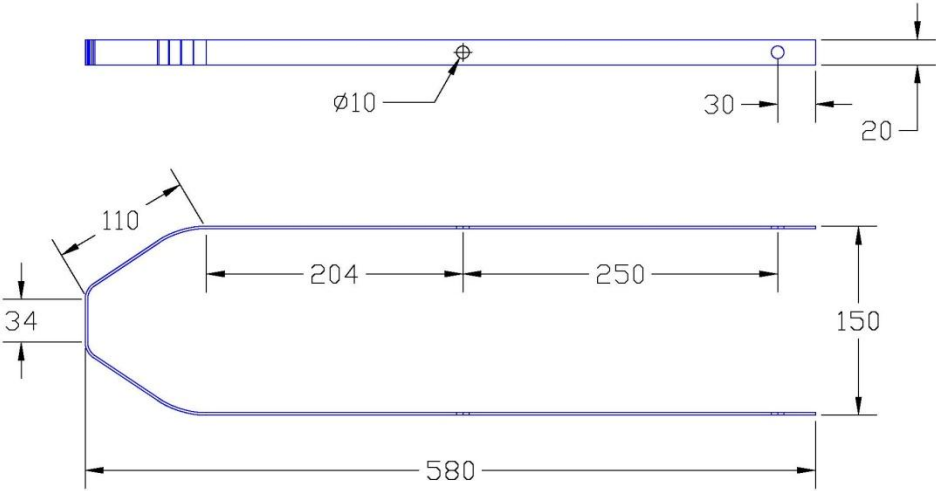
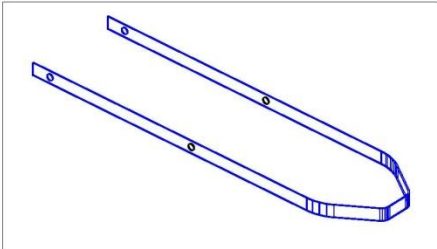


# ✓ Ny fanamboarana ny lakana(ski)

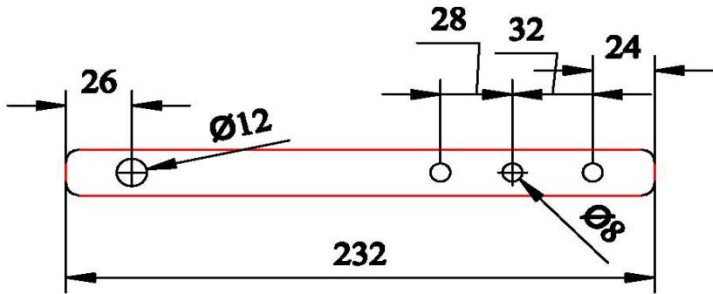


# ✓Ny fanamboarana ny tanjany

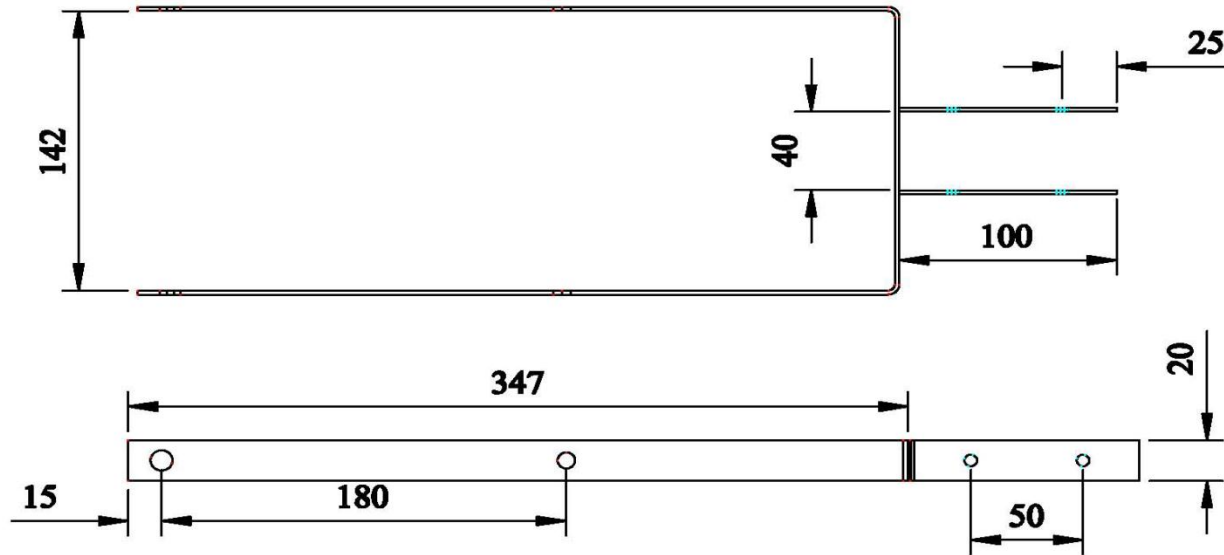
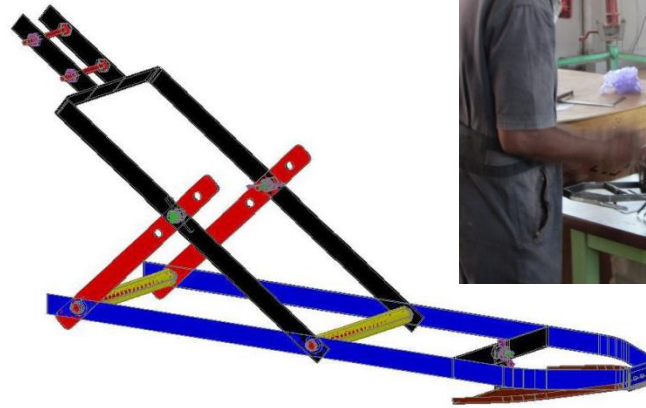
frame



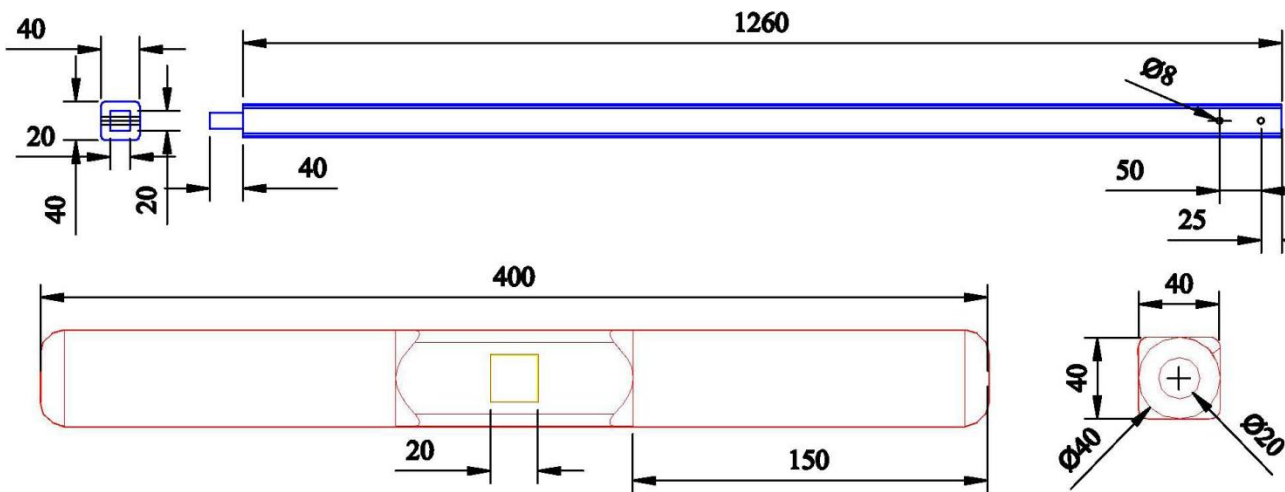
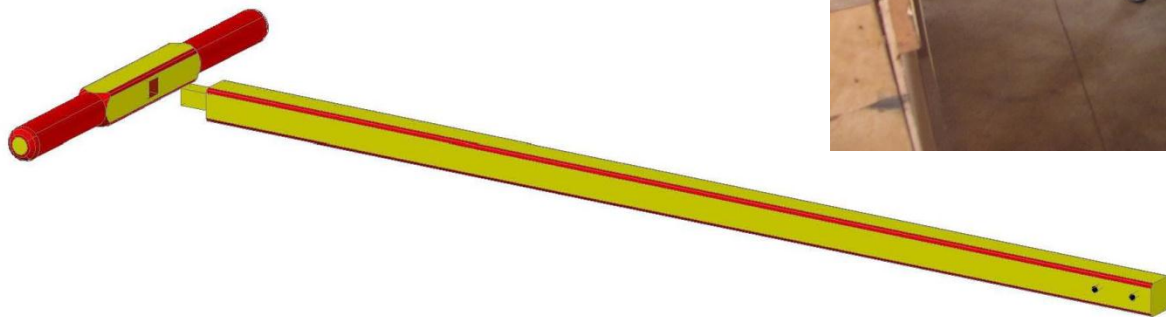
✓Ny fanamboarana ny fitoeran`ny tangozany



fer plat 20 x 3

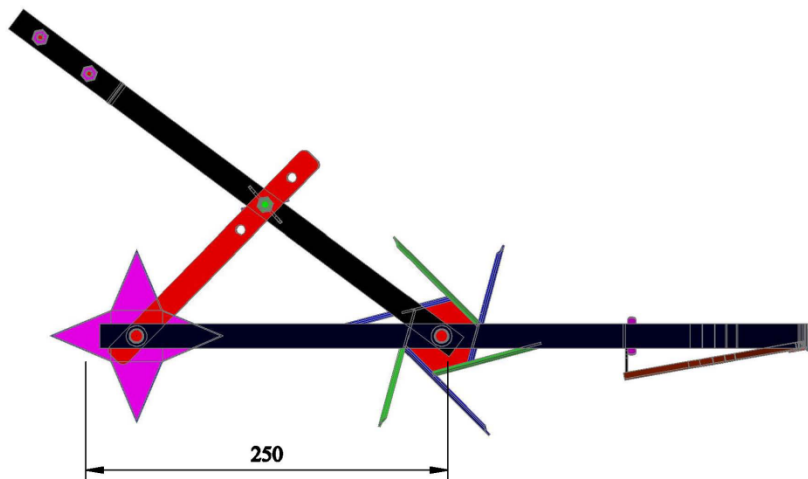
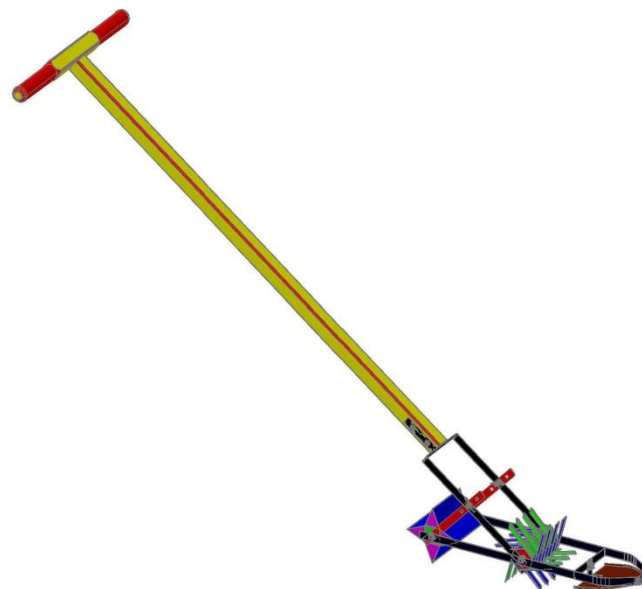
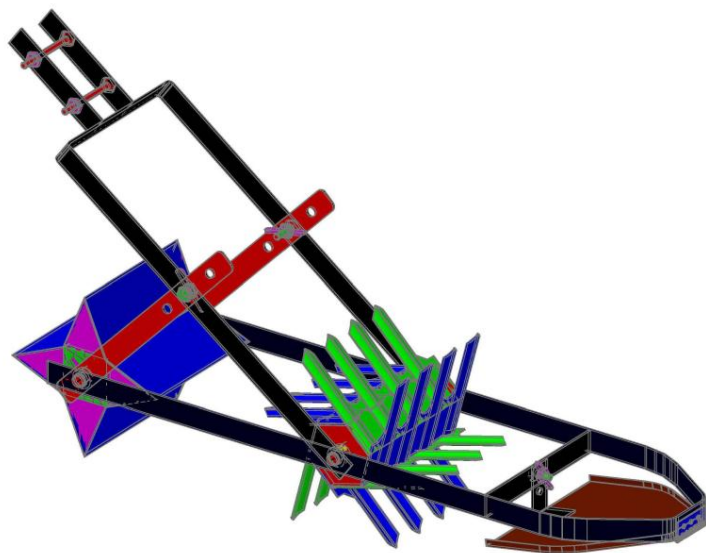


# ✓Ny Tangozany





✓Ny fanambarana ny fihavana



# Ny tombam-bidin`ny akora ilaina

- Tangozany (Manche/handle)

Hazo efa-joro: 40mm x 40mm

L : 1700mm = **3000 Ar**

- Tanjany(cadre/frame)

Fer plat 20mm x 3mm

L : 2000mm = **2900 Ar**

- Lakana(Ski/skyt)

TPN 08/10 mm

Velarany : 22500mm<sup>2</sup> : **2900 Ar**

- Nifiny (griffe/claw)

TPN 15/10 mm

Velarany : 13500mm<sup>2</sup> : **3600 Ar**

- Kintana (etoile/star)
  - vatany : TPN 15/10 mm
  - Velarany :  $14520\text{mm}^2 = 2200 \text{ Ar}$
  - sisiny : TPN 15/10 mm
  - Velarany :  $22500\text{mm}^2 = 2200\text{Ar}$
- Savily (Charniere/Hinge)
  - 1piece = **150 Ar**
- Vy fanamafisana(Plaque de renforcement/reinforcement plate)
  - Fer plat 40mm x 5mm
  - L : 200mm = **2000 Ar**
- Aksa(axe/axe)
  - fer  $\emptyset 12$
  - L : 300mm = **2900Ar**

- Tube(Tube/pipe)

tuyau galva Ø12/17

L : 300mm = 1000Ar

- Blao(boulon/bolt)

M8 x 60mm : 2 pcs = 600 Ar

M8 x 20mm : 2 pcs = 400 Ar

M6 x 20mm : 1 pcs = 200 Ar

- Bagety(Electrode/electroda)

Ø 3,15mm : 5 pcs = 500 Ar

- Loko (peinture/paint)

Mena 200g = 4000 Ar

Totaliny/total/total : 29 150 Ar