

## The Project for Community-Based Sustainable Natural Resource Management

This is the first issue of the newsletter of the Project for Community-Based Sustainable Natural Resource Management. We, the JICA Project Team for the captioned project, have just commenced our activities on January 7, 2011. We are pleased to introduce our project to anyone and/or any organizations who have concerns over forests and natural resources in Timor-Leste.

### Background of the Project

Between 1972 and 1999, the Democratic Republic of Timor-Leste had reduced its forest cover at a rate of 1.1 % per annum. The assessment made by FAO in 2005 revealed that forests in the country covered only about 54 % (or 0.8 million ha) of the total land area (1.5 million ha). Deforestation has further caused soil erosion, land slides and flash floods, which have eventually affected the lives of people residing within major river basins.

To tackle such issues, the Japan International Cooperation Agency (JICA) had carried out the development study to assist the Ministry of Agriculture and Fisheries (MAF) in the formulation of an integrated watershed management plan for the Laclo and Comoro river basins from November 2005 to March 2010. In the course of the study, nine pilot projects had been implemented in partnership with the NGOs based in Timor-Leste to validate the effectiveness of the watershed management plan proposed by the study. Based on the results of the pilot projects, an integrated watershed management plan for the said river basins were finalized in March 2010.

Having confirmed the effectiveness of the watershed management plan, the GoTL and JICA agreed to jointly implement the captioned project (hereinafter referred to as “the Project”) focusing on the implementation of the integrated watershed management plan developed by the preceding JICA study.

### Objectives of the Project

The main objective of the Project is that “an

operational mechanism<sup>1</sup> of community-based natural resource management (CB-NRM) at suco level is developed.” The project purpose will be attained through the achievement of the following project outputs:

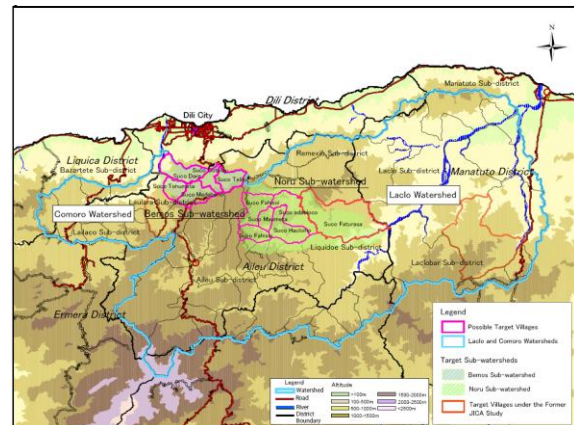
Output 1: Land use plans are agreed upon and implemented by local residents in accordance with relevant suco regulations;

Output 2: Capacities of the staff of the implementing agency and relevant stakeholders are enhanced to support CB-NRM; and

Output 3: Effective processes with roles of stakeholders to support CB-NRM are identified.

### Targets of the Project

As a whole, the Project aims to improve the natural resource management in the Laclo and Comoro river basins.



Location Map of Target Areas

Specifically, each project output focuses its activities on the respective targets as shown below.

The activities for Output 1 will be carried out in six villages, i.e., three from the Noru sub-watershed in Laclo and another three from the Bemos sub-watershed in Comoro.

Training under Output 2 will target the staff of MAF, especially those appointed as the counterparts for the Project and others who are willing to learn the techniques on CB-NRM.

Effective process to support CB-NRM under Output 3 (e.g., new policy document on CB-

<sup>1</sup> Operational mechanism is embodied in the endorsed and practiced guidelines/manuals on the process with roles of stakeholders to support CB-NRM, technical manuals on CB-NRM, and the policy recommendations.

NRM) will aim to promote CB-NRM in the Lacro and Comoro river basins, in principle.



Views of the Noru Sub-watershed (Lacro)

**Project Period**

The Project will be implemented over 58 months from January 201 to October 2015.

**Implementing Agency**

The National Directorate for Forestry (NDF) of MAF shall bear the principal responsibility for the implementation of the Project as the implementing agency. The MAF District Office in Aileu shall cooperate with NDF in the implementation of the activities for Output 1.

**Key Principles in Implementation**

The Project will be implemented in line with the following key principles:

- a. participation and capacity building of local people;
- b. full involvement of the counterparts in the project;
- c. continuous dialogs among NDF/MAF on the new policy document on CB-NRM; and
- d. close coordination among the stakeholders.

**Plan of Operations**

The major activities planned in the Project are:

Under Output 1:

- Baseline survey and PRA in six villages
- Participatory land use planning in the villages
- Micro programs in the villages

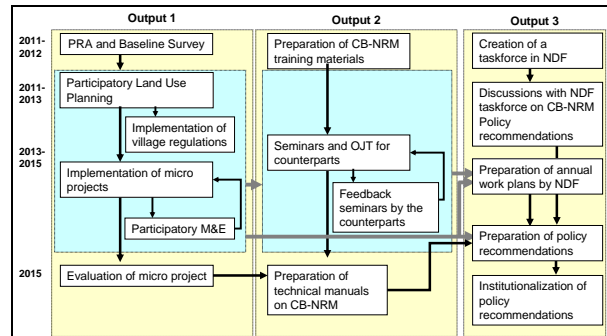
Under Output 2:

- Training need assessment
- Preparation of a training plan and materials
- Seminar-type training and OJT on CB-NRM
- Development of technical manuals

Under Output 3:

- Formation of a working team in NDF

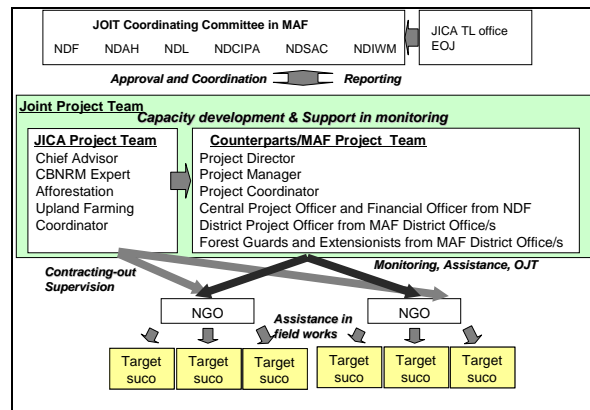
- Discussions with NDF on CB-NRM policy recommendations
- Preparation of policy recommendations



Work Flow of the Project

**Institutional Framework**

The Project will be jointly implemented by JICA and NDF as well as the MAF District Office in Aileu. The Joint Coordinating Committee composed of the national directorates of MAF will be organized for effective implementation of the Project.



Institutional Framework for Implementation

A JICA Project Team composed of the following experts will help NDF implement the Project.

- Chief Advisor/Rural Development/Agroforestry
- Co-chief Advisor/Natural Resource Management
- Reforestation/Afforestation
- Upland Farming/Livelihood Development
- Coordinator

**From now on....**

The Project is about to go into full-scale operation. So we believe that we can introduce the target villages in the next issue.

For more information or any valuable comments, please contact us at: JICA Project Team, 1<sup>st</sup> Floor, Directorate Nacional das Floresta, Caicoli, Dili, Timor-Leste. Land line: 333-1125 (Tel/Fax)